

## INSTALLATION SPECIFICATION SHEET

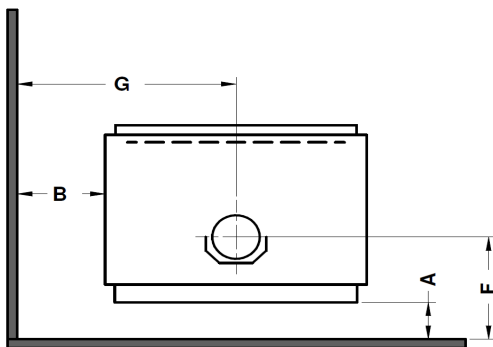
These instructions must be used in conjunction with the 'General Installation Instructions' for Masport wood fires.

### CLEARANCE REQUIREMENTS

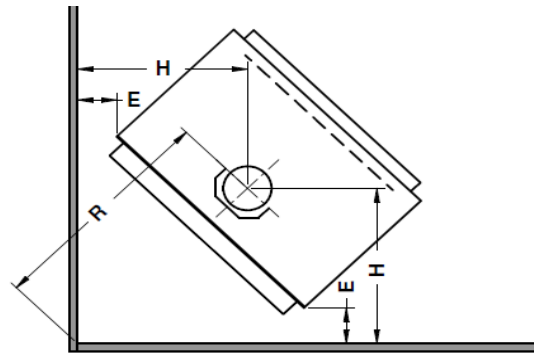
This fire has been tested and complies to the Australian/New Zealand Standard AS/NZS 2918:2001 and all installations must be in accordance with the minimum clearances to combustibles indicated in these instructions.

The minimum clearances to combustibles may be reduced if the combustible walls are shielded with an approved non-combustable material. Details of suitable materials and appropriate clearance reduction factors are present in Section 3 of AS/NZS 2918:2001.

### POSITIONING YOUR FREE-STANDING WOODFIRE



PARALLEL INSTALLATION



CORNER INSTALLATION

### NEW ZEALAND

MINIMUM DISTANCES TO HEAT SENSITIVE WALLS (mm)

| MODEL                                | FLUE SYSTEM & FLUE SHIELD   | A   | B   | E  | F   | G   | H   | R§  |
|--------------------------------------|---|-----|-----|----|-----|-----|-----|-----|
| R5000L/R5000P (SW) (Dry / Wet / Fan) | MASPORT FLUE + MASPORT DOUBLE SKIN SHIELD + TOP FLUE DIVERTER PLATE | 128 | 200 | 85 | 324 | 550 | 441 | 624 |

### AUSTRALIA

MINIMUM DISTANCES TO HEAT SENSITIVE WALLS (mm)

| MODEL                          | FLUE SYSTEM & FLUE SHIELD                                      | A   | B   | E   | F   | G   | H   | R§  |
|--------------------------------|--|-----|-----|-----|-----|-----|-----|-----|
| R5000L/R5000P (HW) (Dry / Fan) | FLOMET UNIVERSAL FLUE SYSTEM                                   | 188 | 280 | 150 | 384 | 630 | 506 | 716 |
|                                | FLOMET FLUE + MASPORT DOUBLE SKIN SHIELD + TOP DIVERTER PLATE  | 124 | 280 | 120 | 320 | 630 | 476 | 674 |
|                                | AIR-GROUP SPECIAL INSULATED FLUE KIT WITH TOP DIVERTER PLATE * | 125 | 395 | 155 | 321 | 745 | 511 | 723 |

§ Valid only when the room walls are at 90° to each other.

‡ Note: Clearances are for fire hazard only. For durability of finishes or surfaces you should contact the relevant manufacturer for their specification. Masport accepts no responsibility for the deterioration of surfaces or finishes.

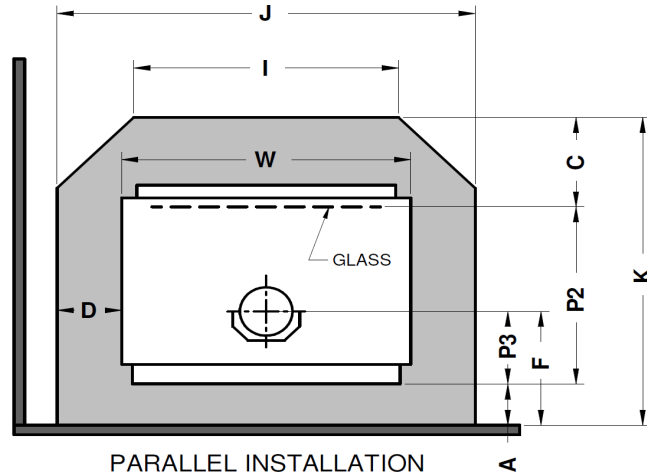
\* Air-Group Special Insulated Flue Kit is same as AHD Special Insulated Flue Kit

PRT. NO. 583268

DATE: 30.10.2012

# FLOOR PROTECTOR (Hearth) REQUIREMENTS PARALLEL INSTALLATION

MINIMUM FLOOR PROTECTOR DIMENSIONS IN mm



# DIMENSIONS IN THE TABLE ARE VALID ONLY WHEN THE FIRE IS EXACTLY AT ITS MINIMUM ALLOWABLE WALL CLEARANCE.

## NEW ZEALAND

| MODEL                                      | Flue Shield | Floor Protector height | A#  | C#  | D   | F   | I   | J   | K#  | P2  | P3  | W   | Floor Protector Type Ø |
|--|-------------|------------------------|-----|-----|-----|-----|-----|-----|-----|-----|-----|-----|------------------------|
| R5000L/R5000P<br>(SW)<br>(Dry / Wet / Fan) | LDS         | ANY                    | 128 | 300 | 100 | 324 | 522 | 900 | 968 | 540 | 196 | 700 | AFP                    |
|  |             |                        |     |     |     |     |     |     |     |     |     |     |                        |
|  |             |                        |     |     |     |     |     |     |     |     |     |     |                        |

LDS = MASPORT / LOGAIRE DOUBLE SKIN SHIELD 1200mm HIGH + TOP DIVERTER PLATE

AFP = ASH FLOOR PROTECTOR

## AUSTRALIA - ALL WITH FLUE HEATSHIELD

| MODEL                                | Flue Shield | Floor Protector height | A#  | C#  | D   | F   | I   | J   | K#   | P2  | P3  | W   | Floor Protector Type Ø |
|--------------------------------------|-------------|------------------------|-----|-----|-----|-----|-----|-----|------|-----|-----|-----|------------------------|
| R5000L/R5000P<br>(HW)<br>(Dry / Fan) |             |                        |     |     |     |     |     |     |      |     |     |     |                        |
|                                      | FUF         | ANY                    | 188 | 300 | 100 | 384 | 600 | 900 | 1028 | 540 | 196 | 700 | AFP                    |
|                                      | FUL         | ANY                    | 124 | 300 | 100 | 320 | 600 | 900 | 964  | 540 | 196 | 700 | AFP                    |
|                                      | AGA         | ANY                    | 125 | 300 | 100 | 321 | 600 | 900 | 965  | 540 | 196 | 700 | AFP                    |

FUF = FLOMET UNIVERSAL FLUE SYSTEM

FUL = FLOMET UNIVERSAL FLUE + MASPORT DOUBLE FLUE SHIELD + TOP DIVERTER PLATE

AGA = AIR GROUP / AHD SPECIAL INSULATED FLUE KIT + 900mm S/S REFLECTOR SHIELD + TOP DIVERTER PLATE

AFP = ASH FLOOR PROTECTOR

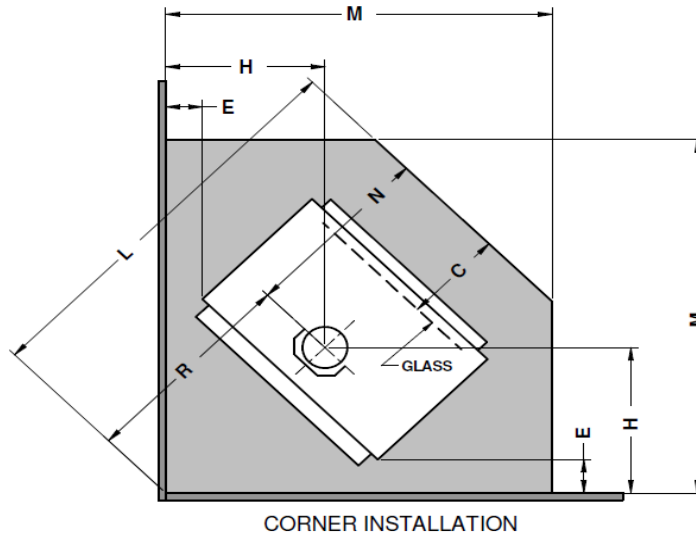
Ø for minimum constructional requirements see general installation instructions.

# Valid only when the fire is exactly at its minimum allowable wall clearance.

NOTE: Where a fan is being fitted, you may prefer to increase the 'A' dimension to 100 mm to provide easier access for servicing. If so, the amount you add to 'A' to bring it to 100 mm must also be added to the 'C' and 'S' dimensions.

# FLOOR PROTECTORS (Hearth) REQUIREMENTS CORNER INSTALLATION

MINIMUM FLOOR PROTECTOR DIMENSIONS IN mm



# DIMENSIONS IN THE TABLE ARE VALID ONLY WHEN THE FIRE IS EXACTLY AT ITS MINIMUM ALLOWABLE WALL CLEARANCE.

## NEW ZEALAND

| MODEL                                   | Flue Shield | Floor Protector Distance above Floor | C   | E  | H# | L#   | M#   | N   | R#  | FLOOR PROTECTOR TYPE |
|---|-------------|--------------------------------------|-----|----|----|------|------|-----|-----|----------------------|
| R5000L/R5000P (SW)<br>(Dry / Wet / Fan) | LDS         | ANY                                  | 300 | 85 | 44 | 1268 | 1109 | 644 | 624 | ASH                  |
|   |             |                                      |     |    |    |      |      |     |     |                      |
|   |             |                                      |     |    |    |      |      |     |     |                      |

LDS = MASPORT / LOGAIRE DOUBLE SKIN SHIELD 1200mm HIGH + TOP DIVERTER PLATE

AFP = ASH FLOOR PROTECTOR

## AUSTRALIA

| MODEL                             | Flue Shield | Floor Protector Distance above Floor | C   | E   | H#  | L#   | M#   | N   | R#  | FLOOR PROTECTOR TYPE |
|-----------------------------------|-------------|--------------------------------------|-----|-----|-----|------|------|-----|-----|----------------------|
| R5000L/R5000P (HW)<br>(Dry / Fan) | FUF         | ANY                                  | 300 | 150 | 506 | 1360 | 1174 | 644 | 716 | ASH                  |
|                                   | FUL         | ANY                                  | 300 | 120 | 476 | 1318 | 1144 | 644 | 674 | ASH                  |
|                                   | AGA         | ANY                                  | 300 | 155 | 511 | 1367 | 1179 | 644 | 723 | ASH                  |

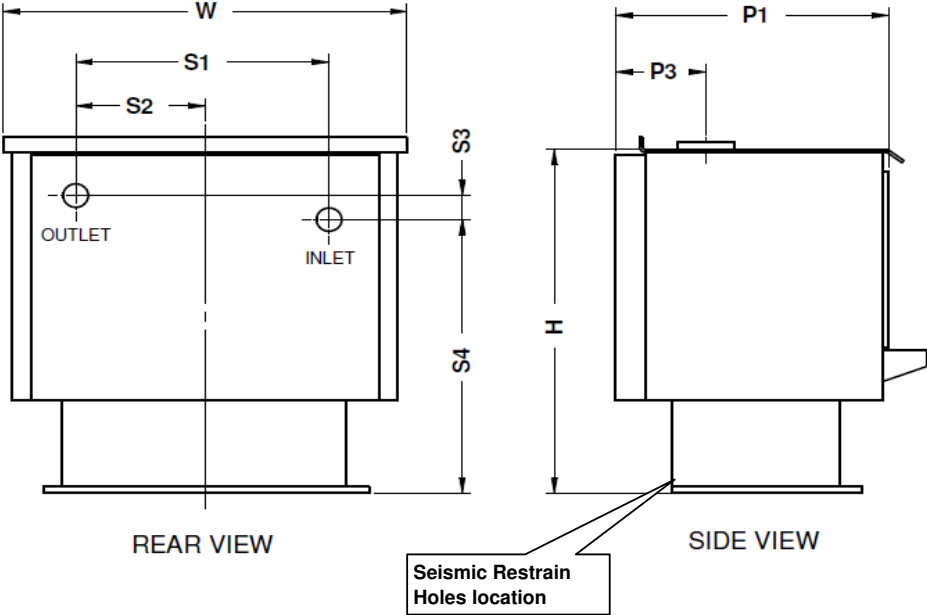
FUF = FLOMET UNIVERSAL FLUE SYSTEM

FUL = FLOMET UNIVERSAL FLUE+MASPORT DOUBLE FLUE SHIELD+TOP DIVERTER PLATE

AGA = AIR GROUP / AHD SPECIAL INSULATED FLUE KIT + 900mm S/S REFLECTOR SHIELD WITH TOP DIVERTER PLATE

AFP = ASH FLOOR PROTECTOR

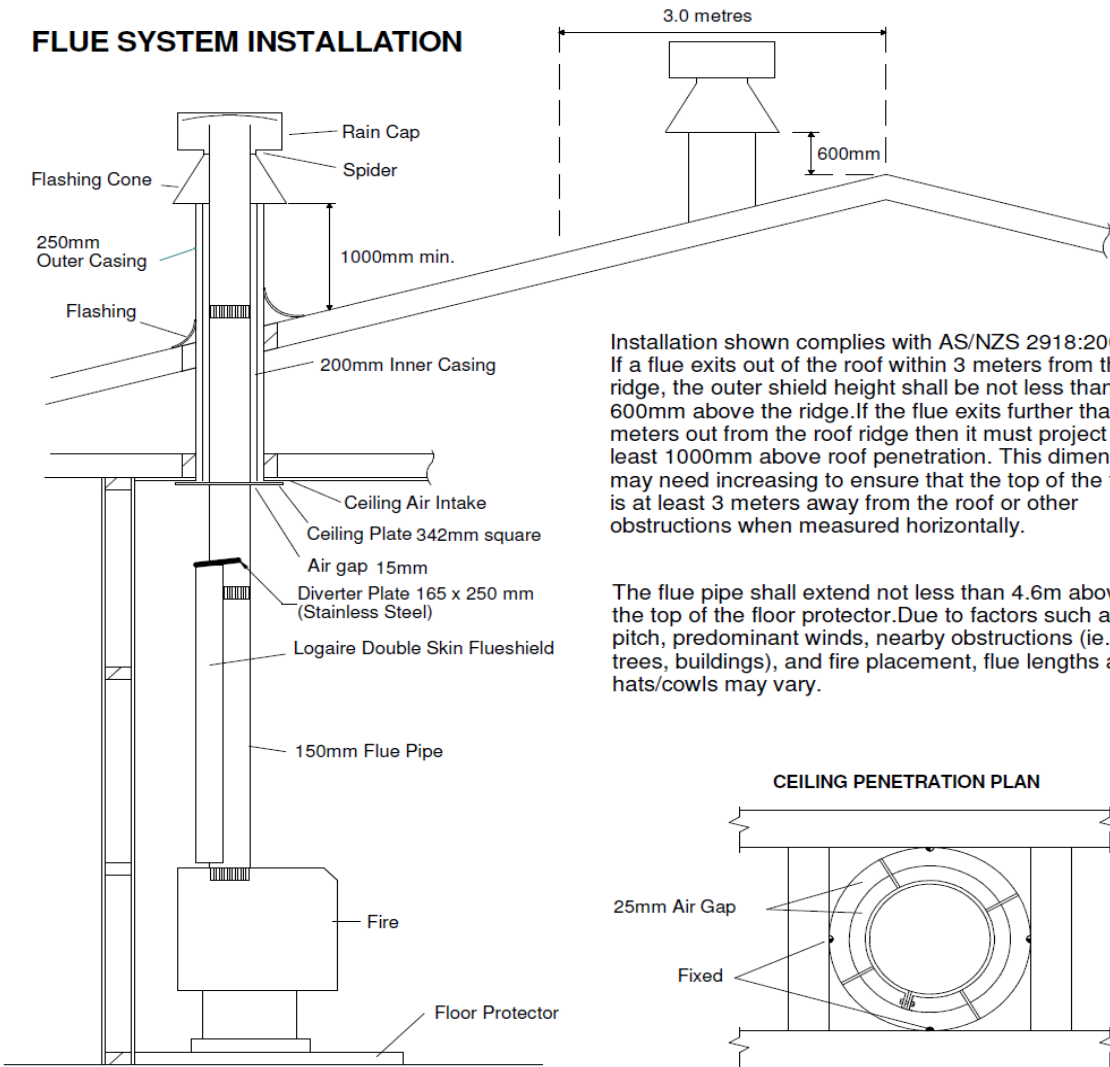
# FREE STANDING FIRE DIMENSIONS



| MODEL                      | P1  | P3  | H   | W   | S1  | S2  | S3 | S4  |
|----------------------------|-----|-----|-----|-----|-----|-----|----|-----|
| R5000L or R5000P (NZ & AU) | 576 | 196 | 720 | 700 | 340 | 170 | 20 | 587 |

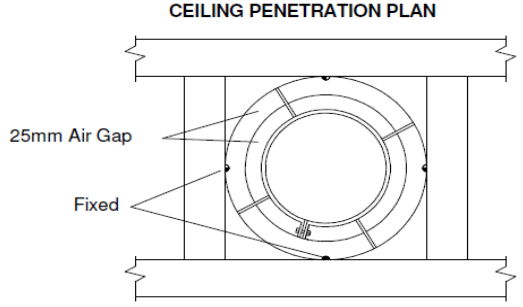
**Seismic Restrain** - In New Zealand and some part of Australia, it is required that the wood fire and floor protector are secured to prevent shifting in the event of an earthquake. This is best done by fastening the wood fire right through the protector to the floor, using two screws not less than 12 guage or the equivalent size of coach bolts or toggle fasteners.

**THIS FLUE INSTALLATION DIAGRAM BELOW IS VALID FOR NZ INSTALLATIONS ONLY. FOR INSTALLATIONS IN AU PLEASE REFER TO SPECIFIC FLUE INSTALLATION SPECIFICATIONS SUPPLIED BY FLUE MANUFACTURER.**



Installation shown complies with AS/NZS 2918:2001. If a flue exits out of the roof within 3 meters from the ridge, the outer shield height shall be not less than 600mm above the ridge. If the flue exits further than 3 meters out from the roof ridge then it must project at least 1000mm above roof penetration. This dimension may need increasing to ensure that the top of the flue is at least 3 meters away from the roof or other obstructions when measured horizontally.

The flue pipe shall extend not less than 4.6m above the top of the floor protector. Due to factors such as roof pitch, predominant winds, nearby obstructions (ie. trees, buildings), and fire placement, flue lengths and hats/cowls may vary.



Above plan valid is only for manufactured by Glen Dimplex Australasia or Sheetmetal Fabricated Products Ltd, Auckland, New Zealand. For other products, use specific flue installation specifications supplied by the manufacturer.

FLUE SYSTEM INSTALLATION 150mm